

USED ON

CONNECTION HEAD & COVER -
AL.ALLOY (LM6M) DIE-CAST
FINISH: PAINTED 2 PART EPOXY MID-BLUE

PART No.HBS/0/00098
Tx MOUNTING PLATE

21 A/F

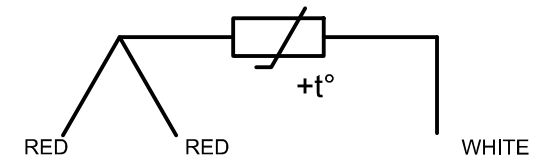
60

Ø20

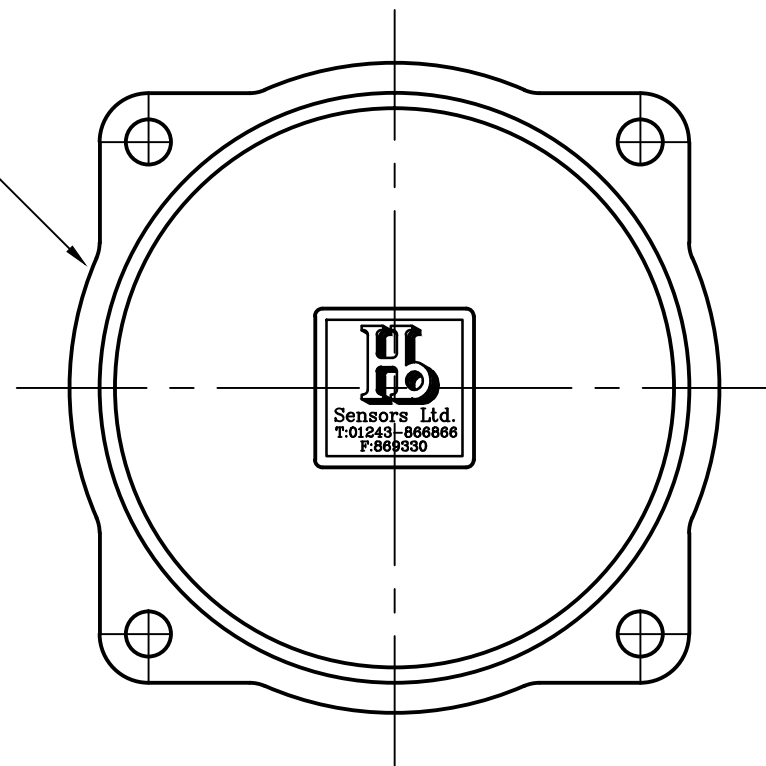
PLASTIC CABLE GLAND

TRANSMITTER - RANGE TO BE SPECIFIED
(STANDARD RANGE -30° TO +35°C)

COVER
(REMOVED)



3 WIRE PT100 CLASS A
PRT WIRING DETAIL



MATERIAL PROBE & SHEATH ST.STL.316		FINISH NATURAL		ORIGINAL SCALE 1 : 1
DRN		DATE		TITLE AIR TEMPERATURE SENSOR
D.C.		30-1-97		
ISSUE		A B		
DATE		17-12-98		
ECR No		416		
AUTOCAD FILE: H12797B		THIRD ANGLE PROJECTION		DRAWING No HBS/1/2797
		DIMENSIONS IN MILLIMETRES TOLERANCES UNLESS OTHERWISE STATED X. . . . ±0.4 X.X. . . ±0.2 X.XX. . . ±0.05 THE ABOVE DO NOT APPLY TO DRILLED HOLES		TOLERANCES ON DRILLED HOLES +1% OR +0.05 ON NOMINAL SIZE WHICHEVER IS THE GREATER. MACHINED DIAMETERS TO BE CONCENTRIC WITHIN 0.1T.C.R. HOLES DISPOSED ON A PITCH CIRCLE TO BE WITHIN 0.08 OF TRUE POSITION.

H&B SENSORS Ltd. TEL. 01243 866866 FAX. 01243 869330
'ODYSSEY HOUSE', DURBAN ROAD, BOGNOR REGIS, WEST SUSSEX, PO22 9RH

www.hbsensors.co.uk
sales@hbsensors.co.uk

D/O ISSUE: 17/12/98

THIS DOCUMENT IS PRIVATE AND CONFIDENTIAL AND IS SUPPLIED ON THE EXPRESS CONDITION THAT
IT IS NOT USED FOR ANY OTHER PURPOSE OR COPIED OR COMMUNICATED TO ANY OTHER PERSON WITHOUT
THE WRITTEN PERMISSION OF H&B SENSORS LTD.