

Vaisala HMD70U/Y humidity transmitter

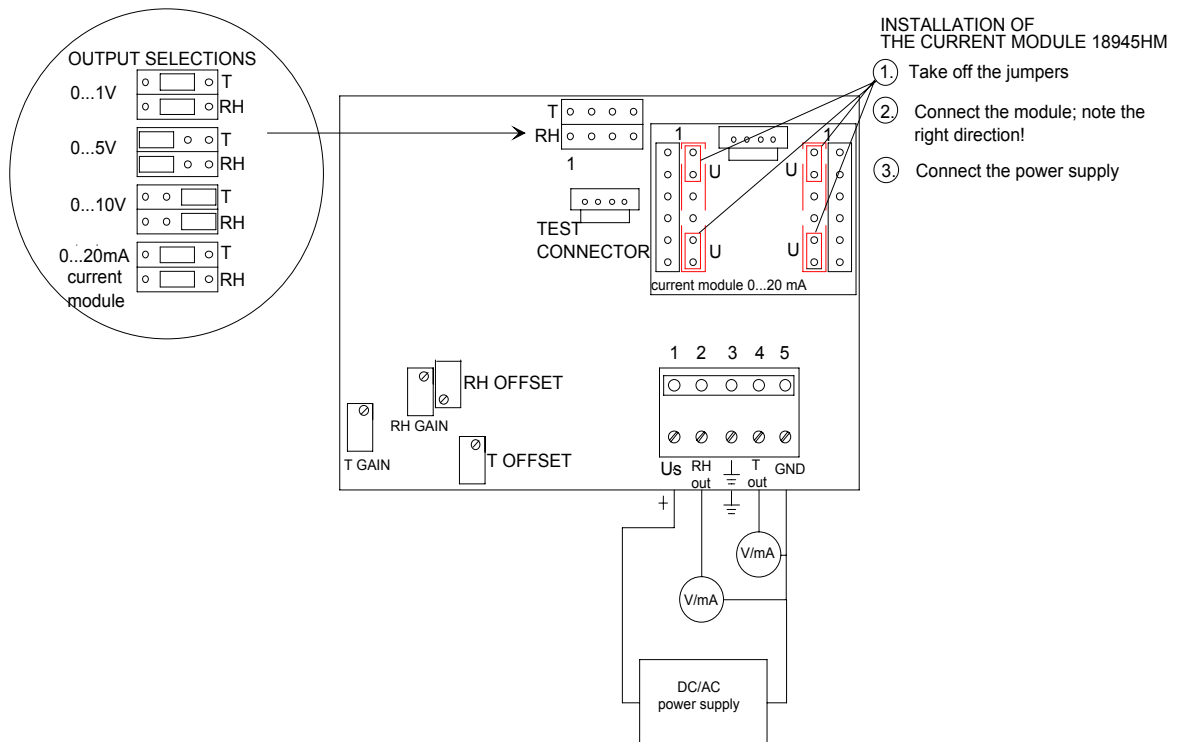
Output quantities: Relative humidity (%), temperature (°C/°F) in model HMD70Y
Supply voltage: Range depends on the selected output signal as follows:

The current outputs require an optional output model (part no. 18945HM)

OUTPUT SIGNALS	DC	AC
0...1 V	10...35 V	9...24 V
0...5 V	14...35 V	12...24 V
0...10 V	19...35 V	16...24 V
0...20 mA ($R_L = 0 \Omega$)	10...35 V	11...24 V
0...20 mA ($R_L = 500 \Omega$)	20...35 V	17...24 V

Screw terminals: 0.5...1.5 mm²

Wiring diagram



Connection to an AC supply

